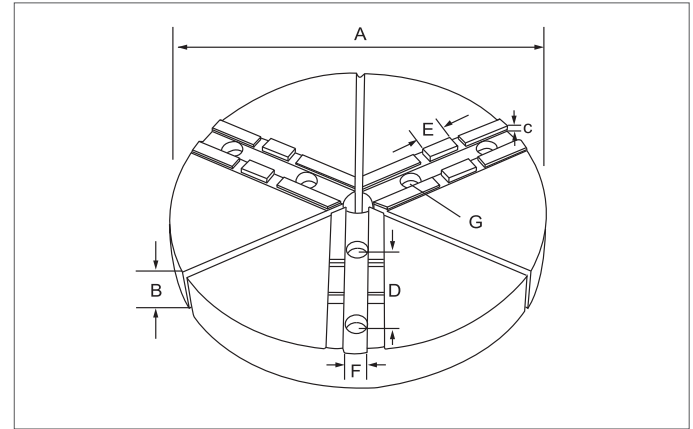
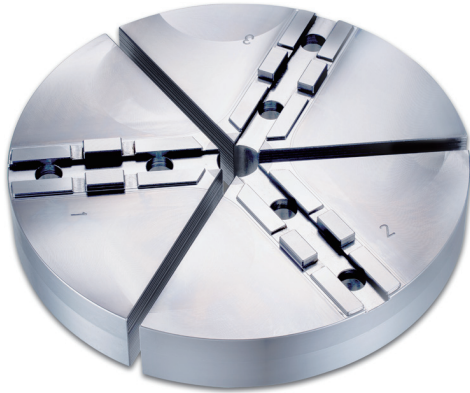


# TONGUE & GROOVE SOFT JAWS



## DIMENSIONS

UNIT:mm

DIMENSION MODEL	A	B	C	D	E	F	G Bolt Size	Thru Hole	Gross Weight (kg)
<b>TGP06040</b>	165	40	3.5	38.1	12.68	7.94	M8	25	5.2
<b>TGP07-8"040</b>	190	40	3.5	44.45	12.68	7.94	M10	25	6.9
<b>TGP09-10"040</b>	230	40	3.5	53.98	19.03	12.7	M12	25	10.1
<b>TGP12050</b>	305	50	3.5	63.5	19.03	12.7	M12	25	24.1

- Material: Steel (S45C)